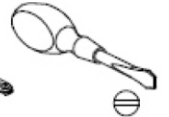
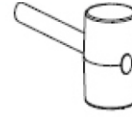
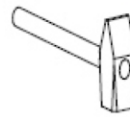
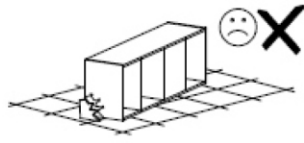
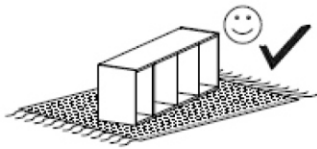
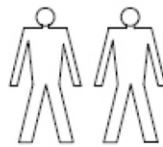
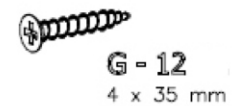
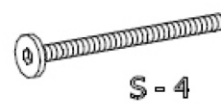
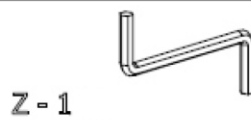
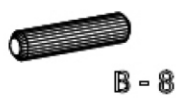
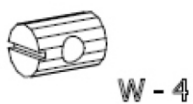
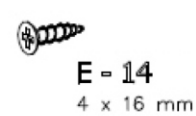
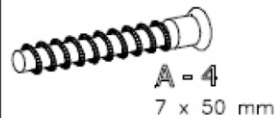
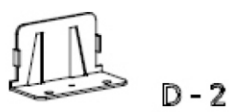
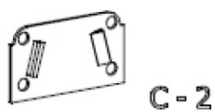
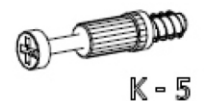
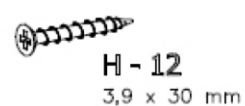
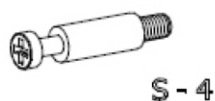
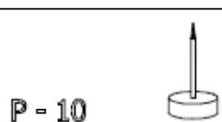
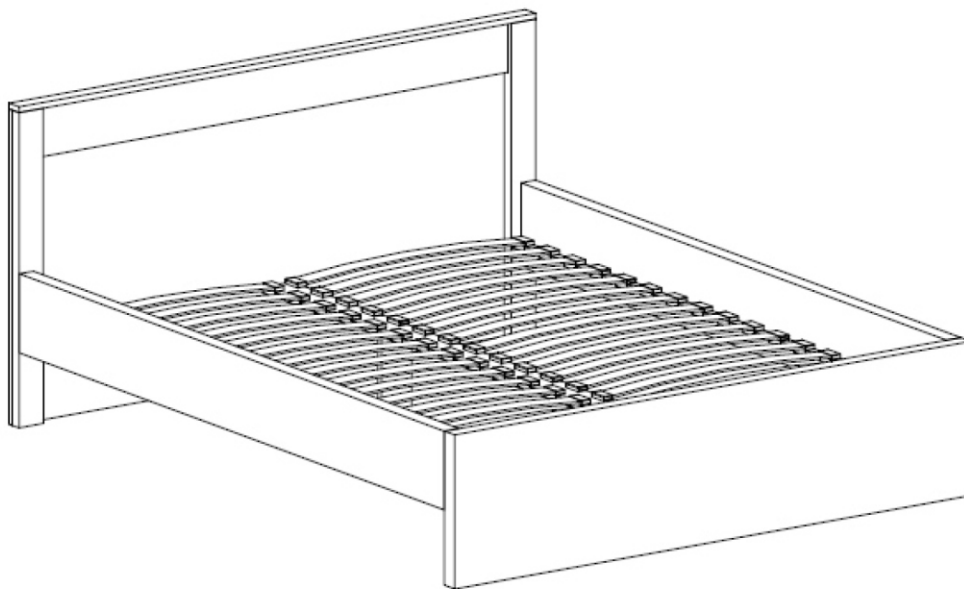


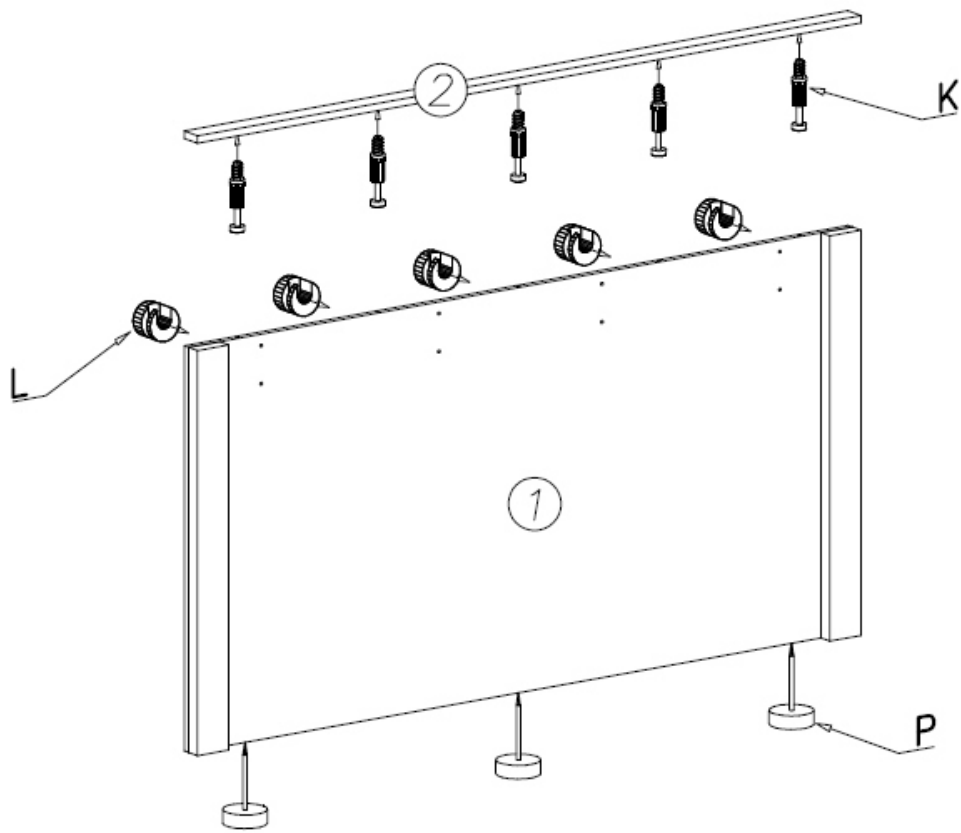
# INFINITY I-19



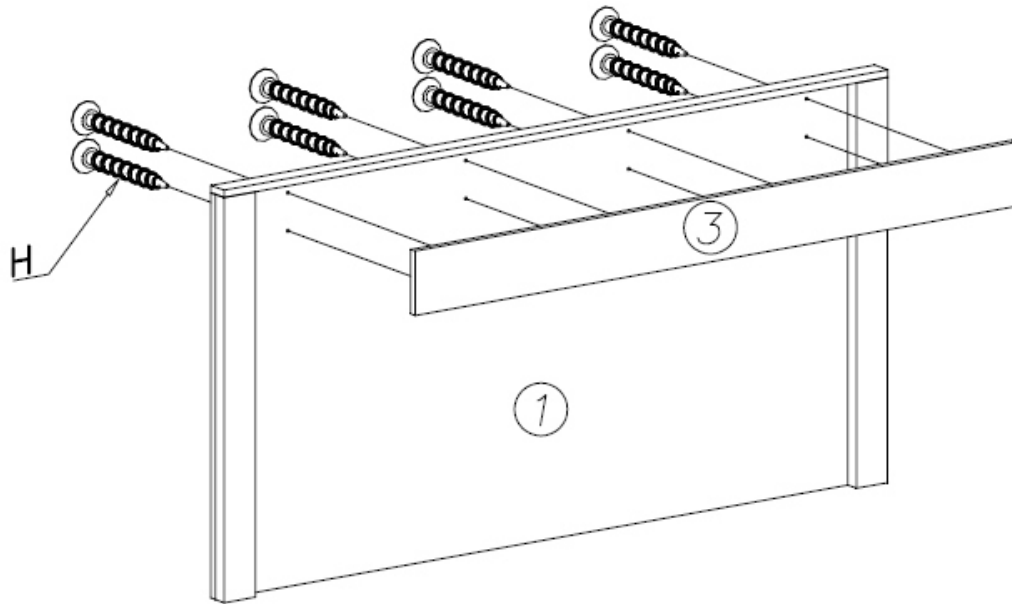
nr	D[mm]	S[mm]	Ø[mm]	
1	1700	1000	48	1
2	1700	73	16	1
3	1537	123	16	1
4	2017	200	16	1
5	270	190	16	1
6	2000	200	48	1
7	2000	200	48	1
8	1700	400	48	1
9				1



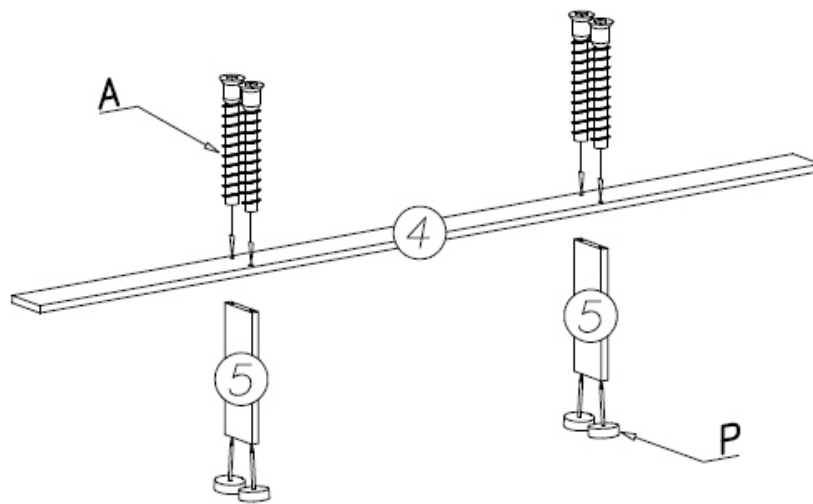
I

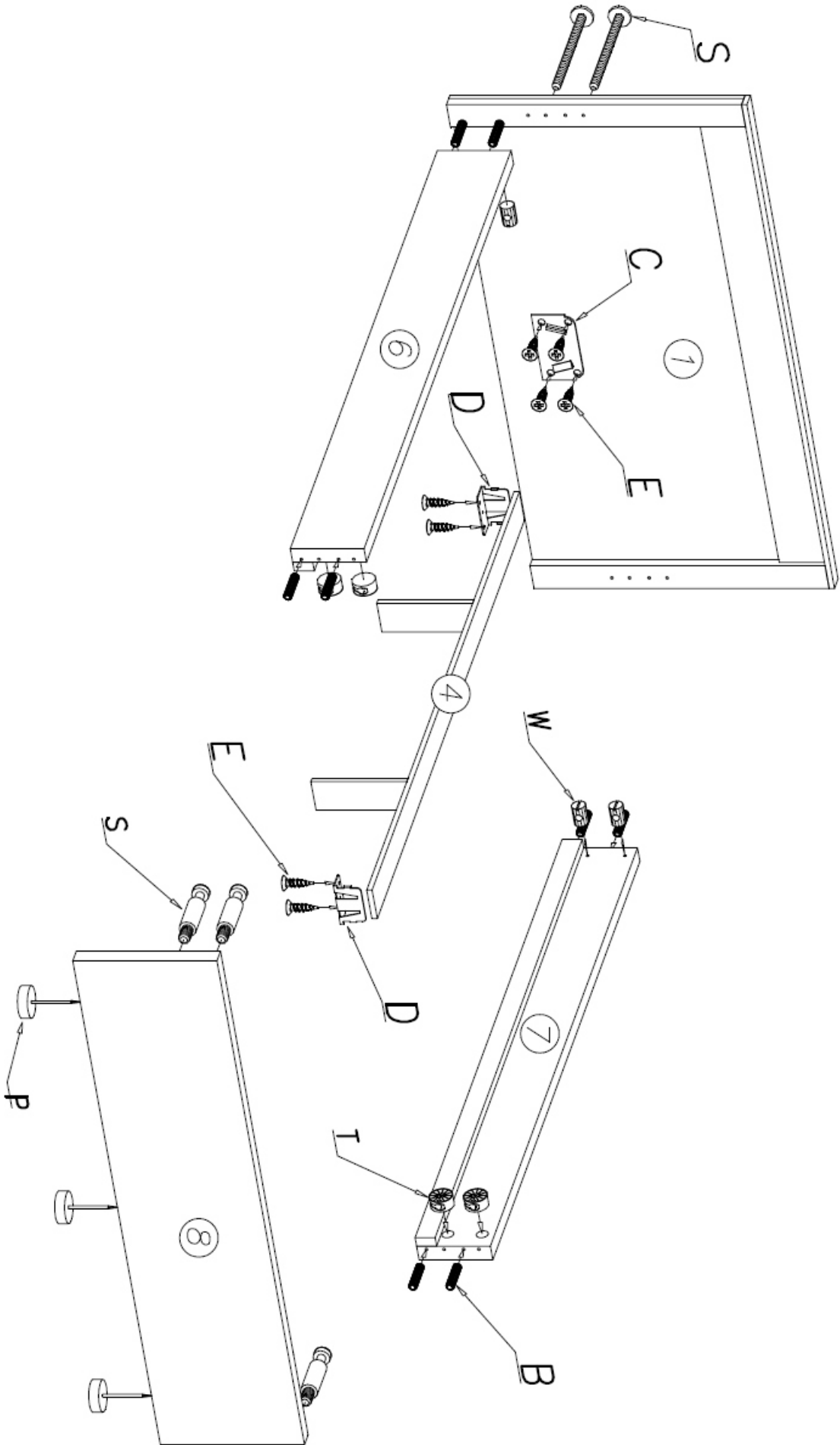


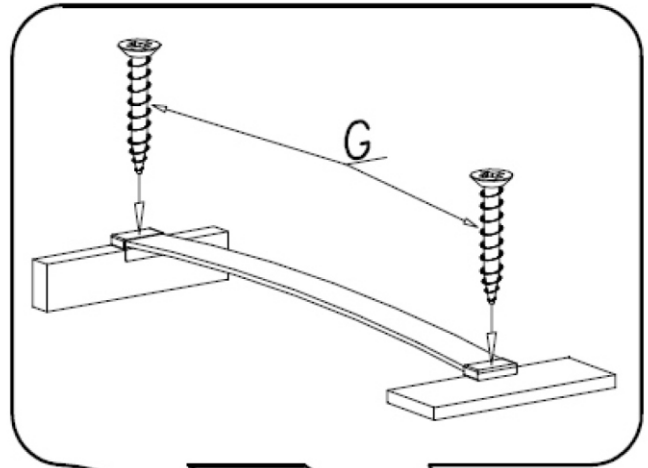
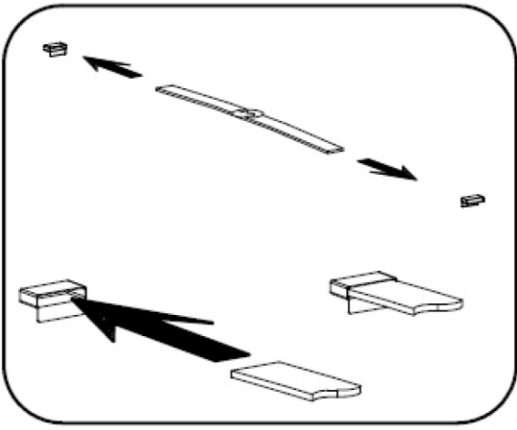
II



III







V

