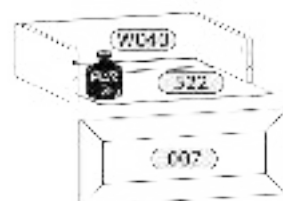
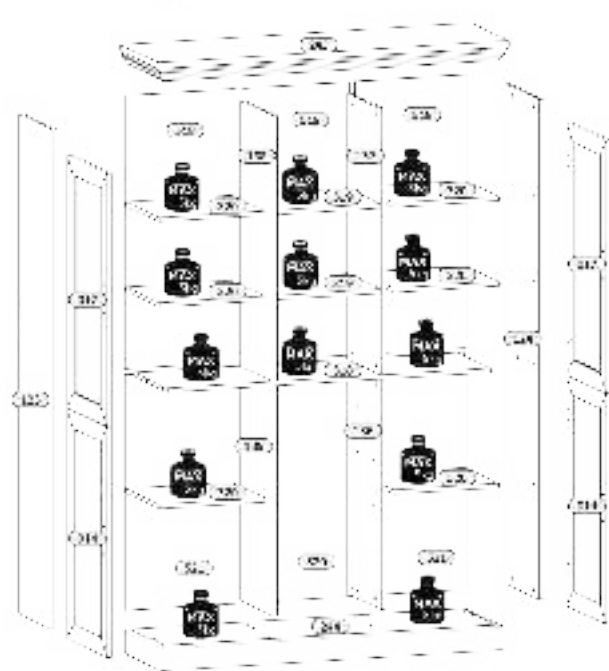
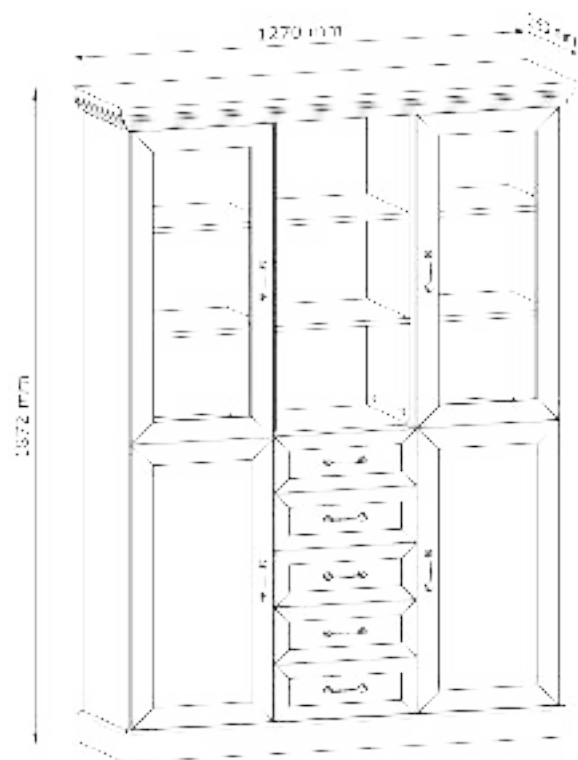
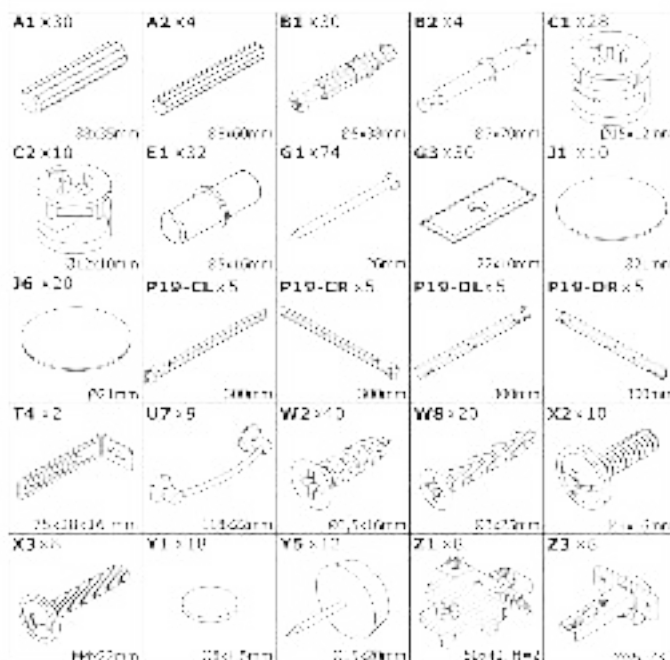


# Royal

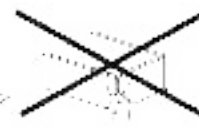
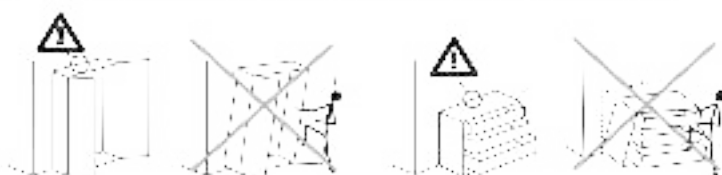
# W2D



**x5**



No	L[mm]	W[mm]	H[mm]	POS	BOX
007	395	130	18	5	2/5
014	610	395	18	2	2/5
017	690	395	18	2	4/5
125	1780	335	15	1	1/5
124	1780	335	15	1	1/5
135	810	335	15	1	1/5
136	810	335	15	1	1/5
137	835	335	15	1	1/5
138	835	335	15	1	1/5
243	1270	380	72	1	5/5
244	1207	380,5	69	1	5/5
316	1170	335	15	1	1/5
319	375	335	15	2	3/5
320	302	335	15	8	3/5
516	692	403	2,5	2	5/5
519	662	391	2,5	1	5/5
520	830	21	2,5	1	5/5
521	830	403	2,5	2	5/5
522	301	334	2,5	5	5/5
W140	343	100	2	5	1/5



**1**

B1 x10

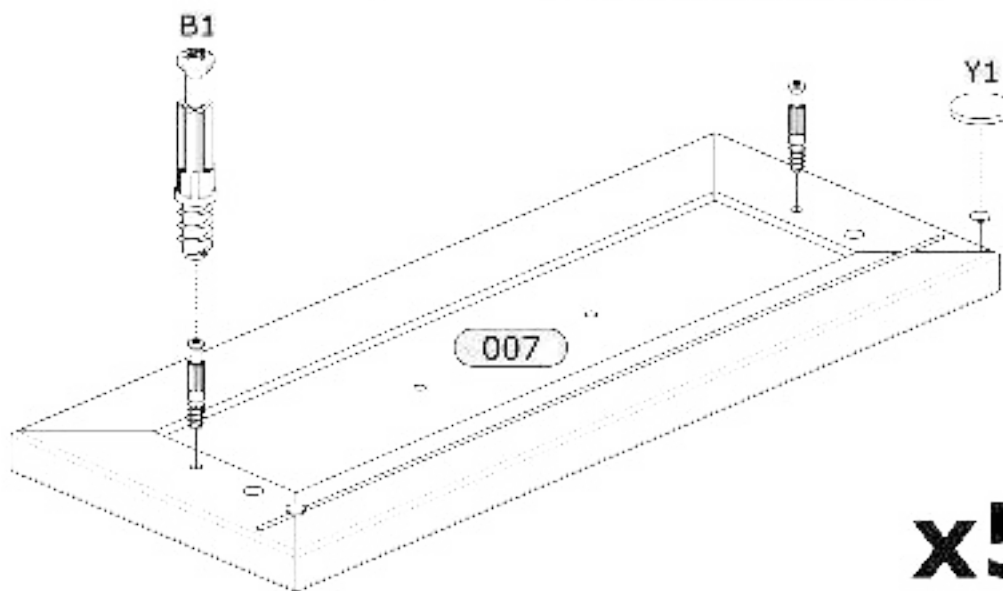
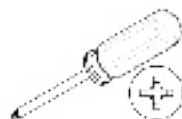
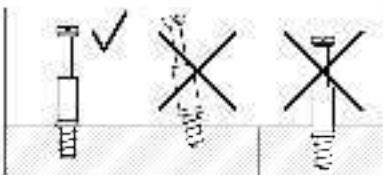


Ø5x38mm

Y1 x10



Ø8x1,5mm



**x5**

**2**

A1 x10

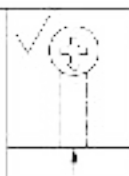


Ø8x35mm

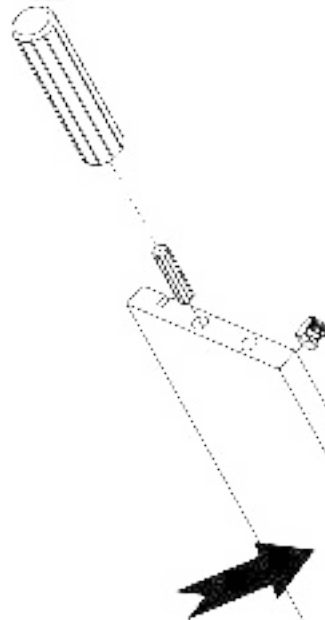
C2 x10



Ø12x1,0mm



A1

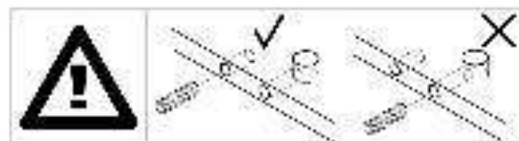


C2

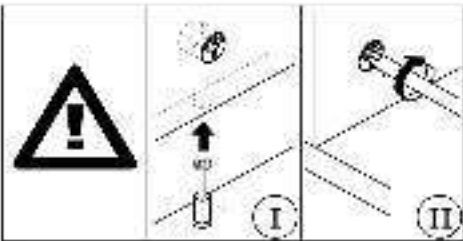
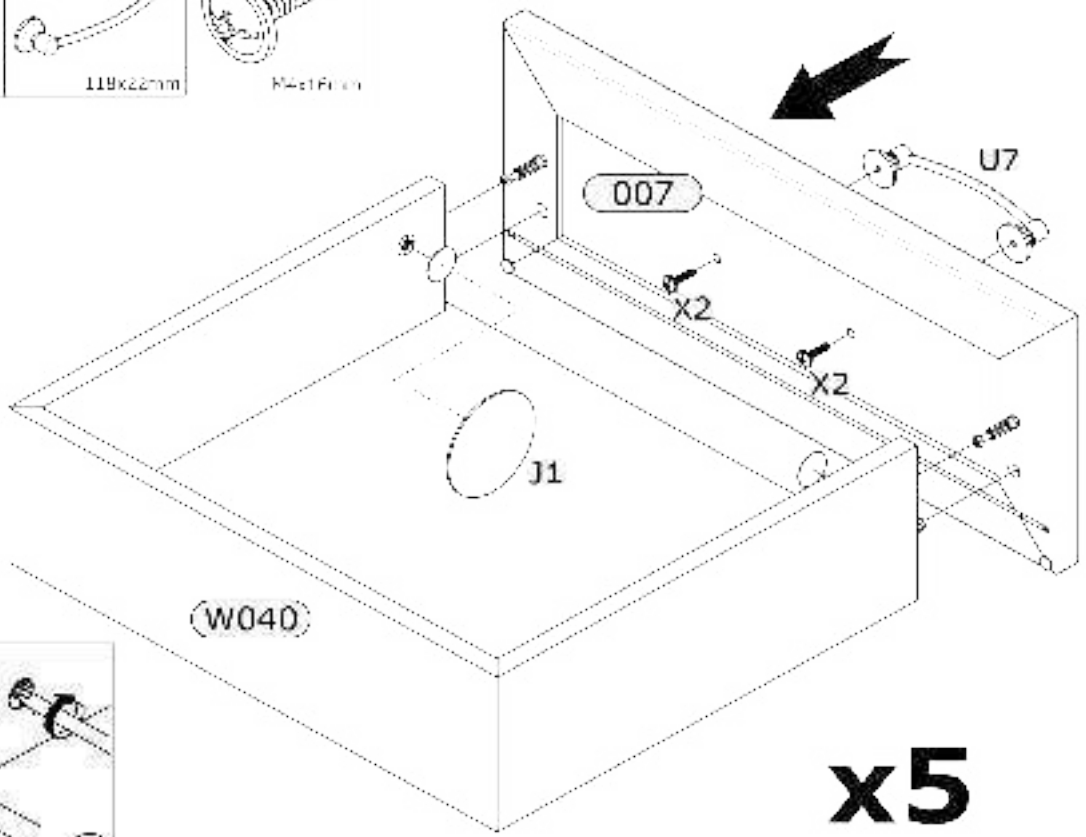
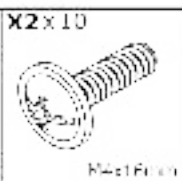
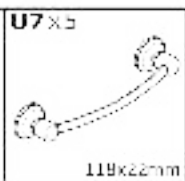
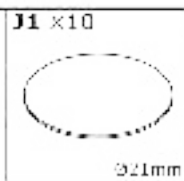
522

W040

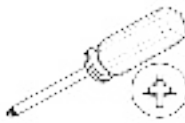
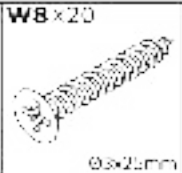
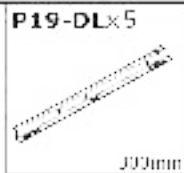
**x5**



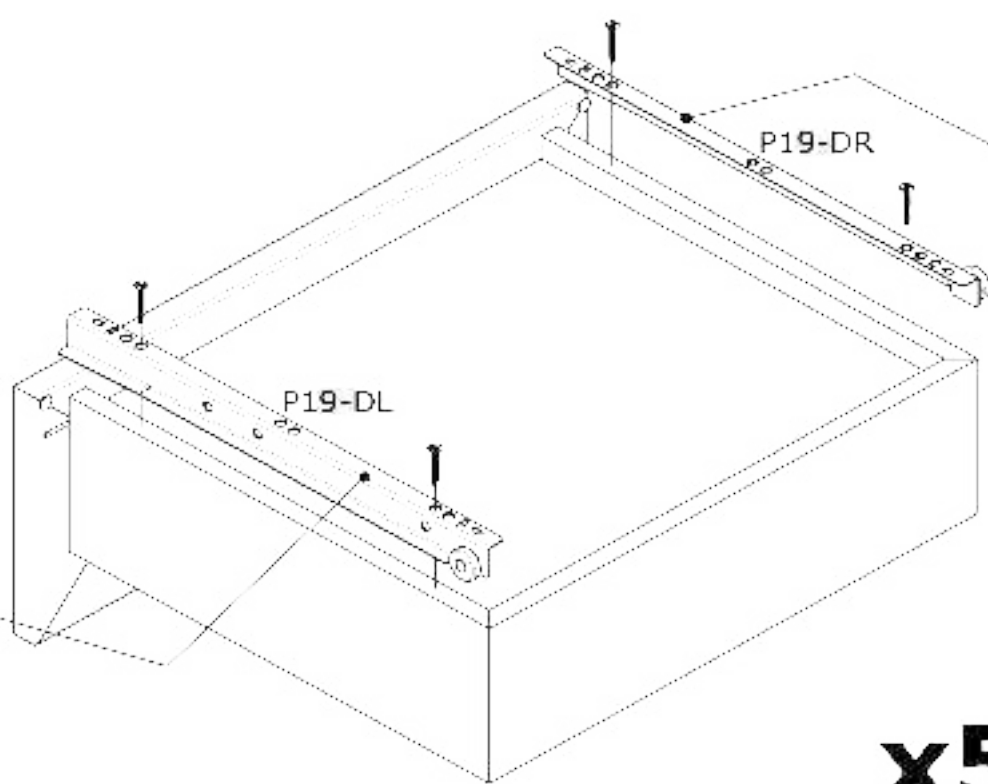
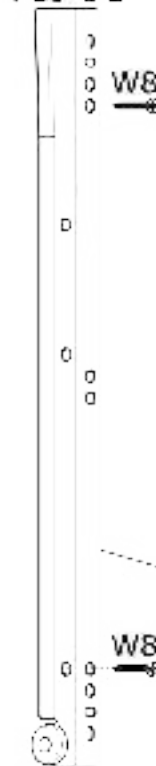
**3**



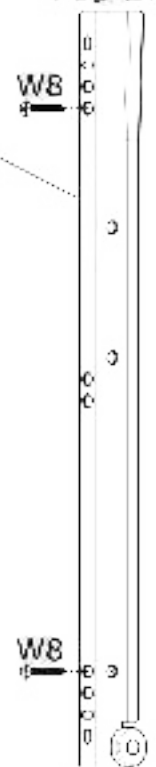
**4**



P19-DL

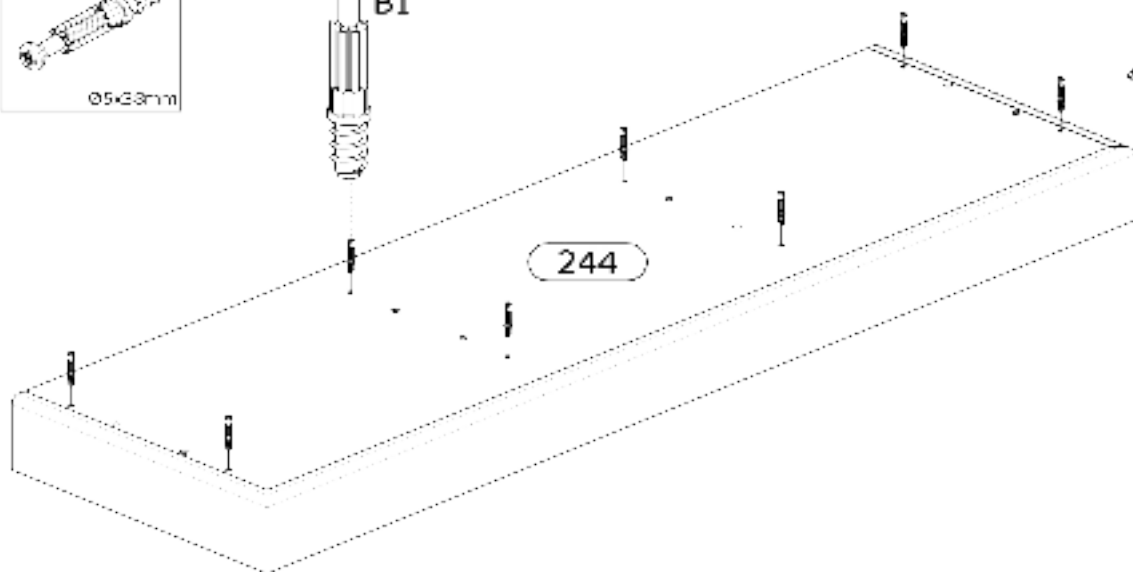


P19-DR



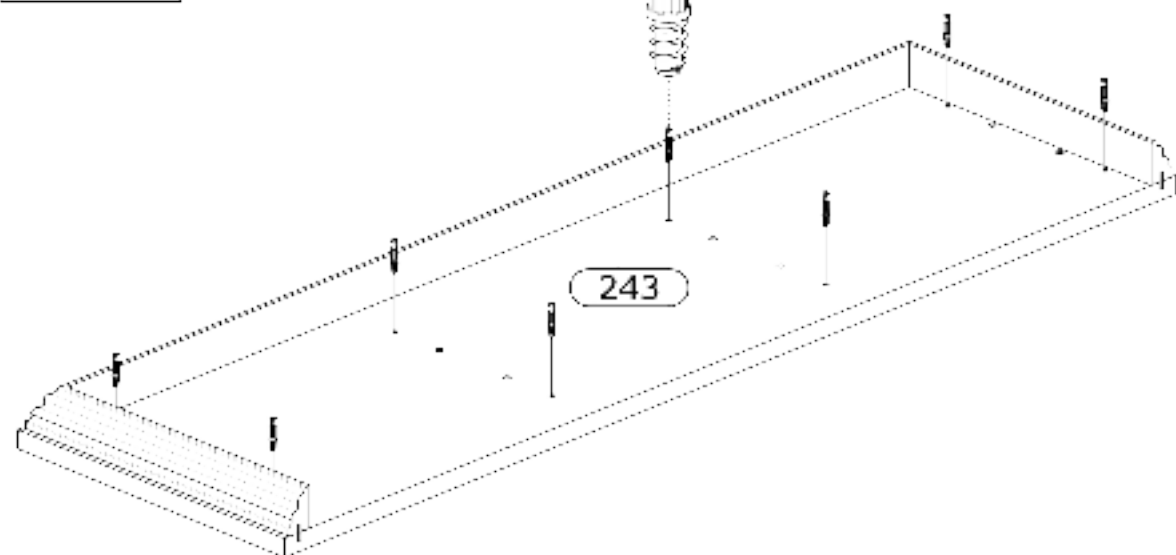
5

B1 x 6  
Ø5x33mm



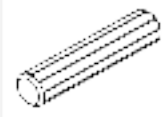
6

B1 x 8  
Ø5x39mm

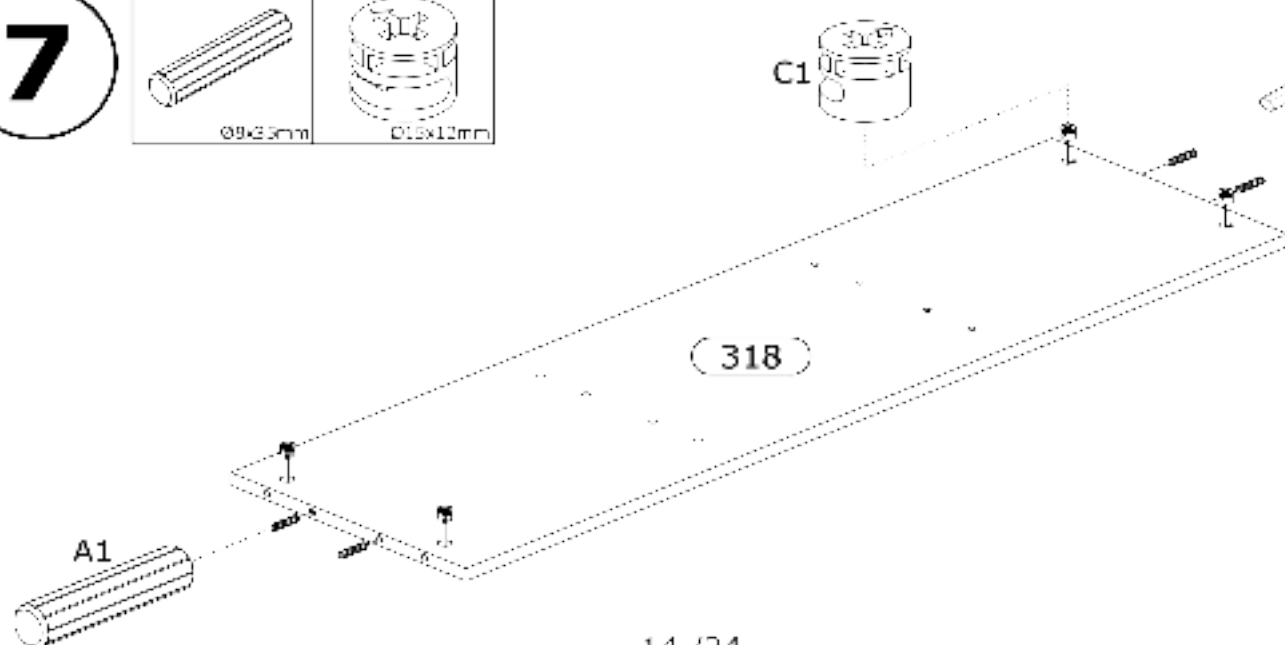
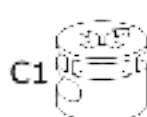
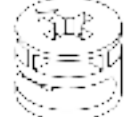


7

A1 x 4  
Ø9x33mm



C1 x 4  
Ø16x12mm



8

A1 x 6



Ø9x35mm

B1 x 4



Ø5x25mm

C1 x 8

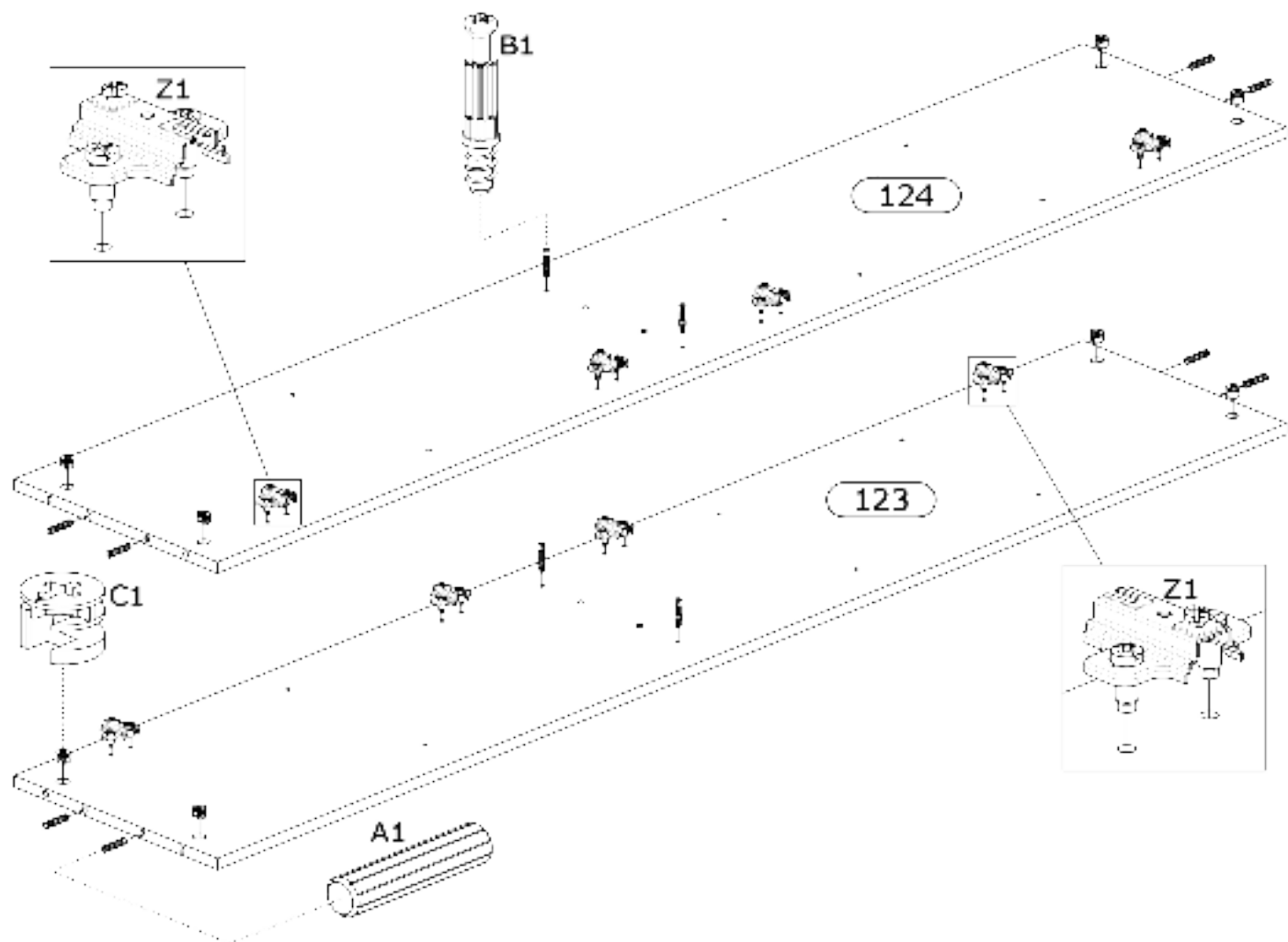


Ø15x12mm

Z1 x 8



30x40, H=2



9

A1 x 1

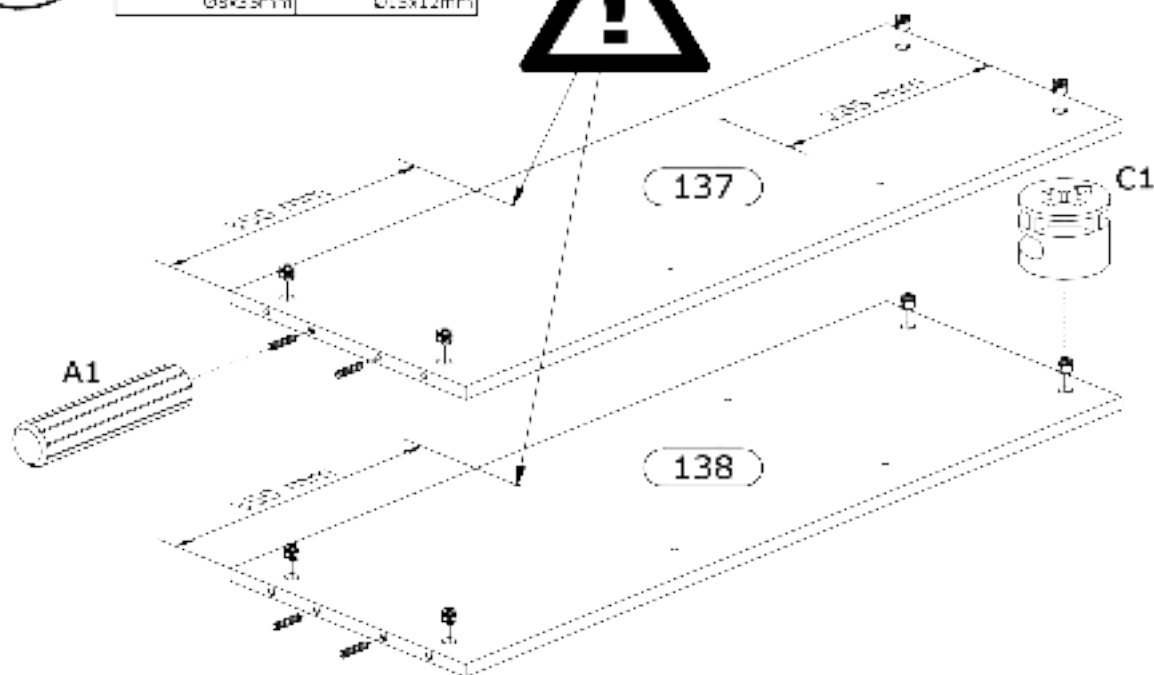


Ø9x35mm

C1 x 8

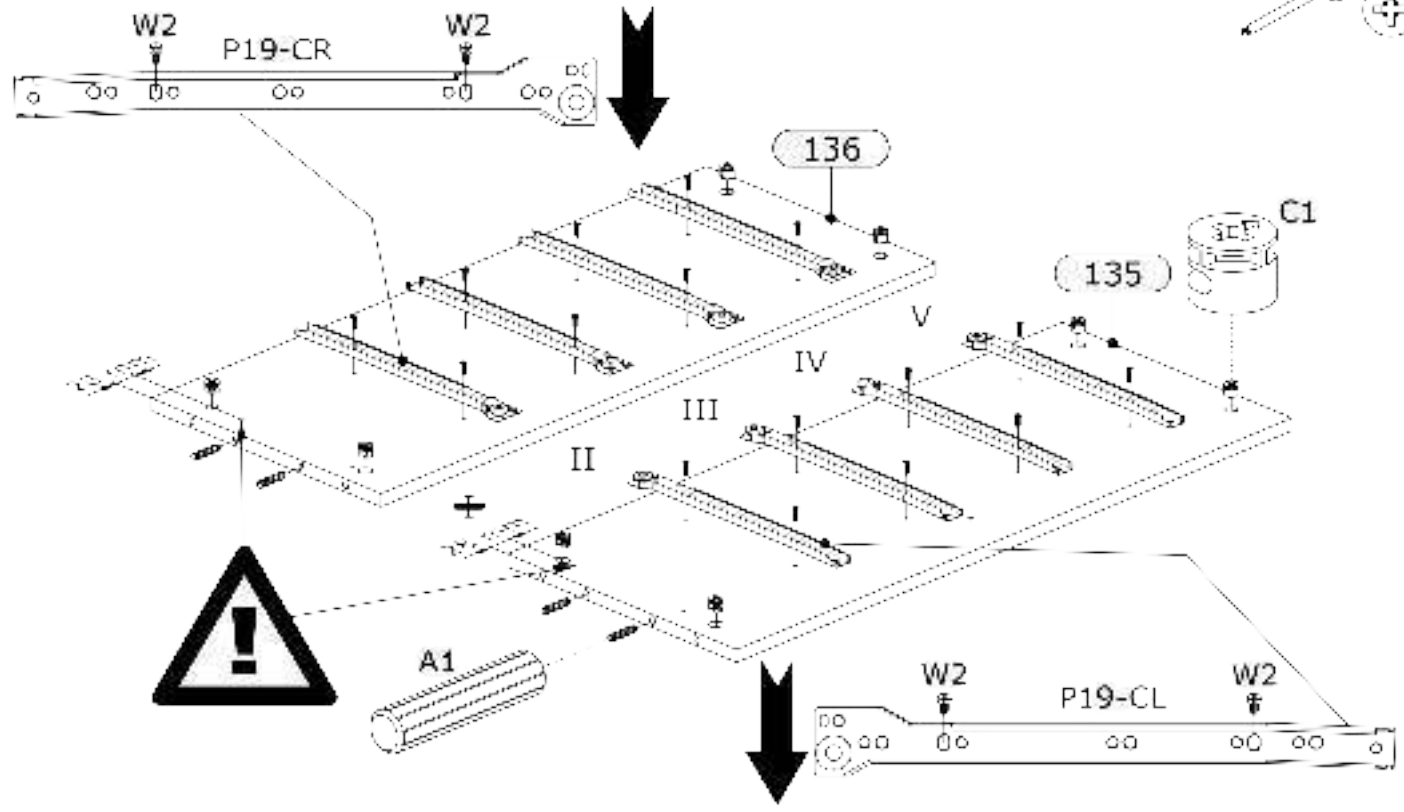
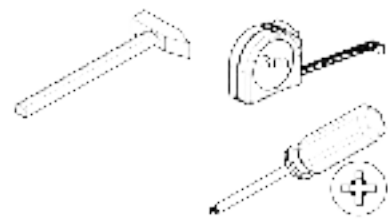


Ø15x12mm



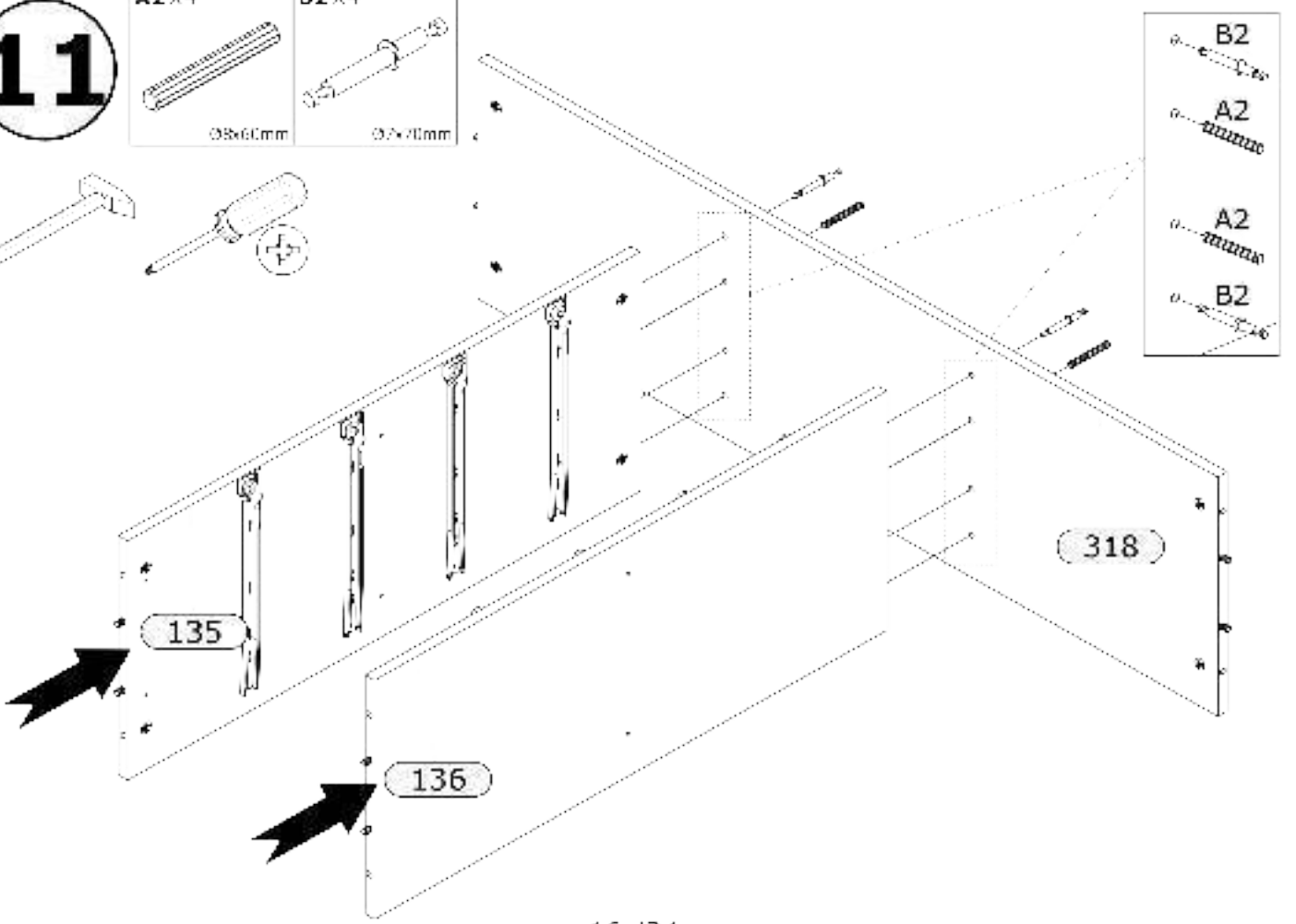
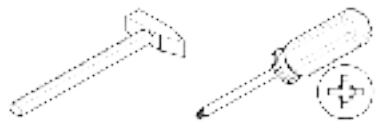
**10**

- A1 x 1
- C1 x 8
- P19-CL x 4
- P19-CR x 4
- W2 x 16

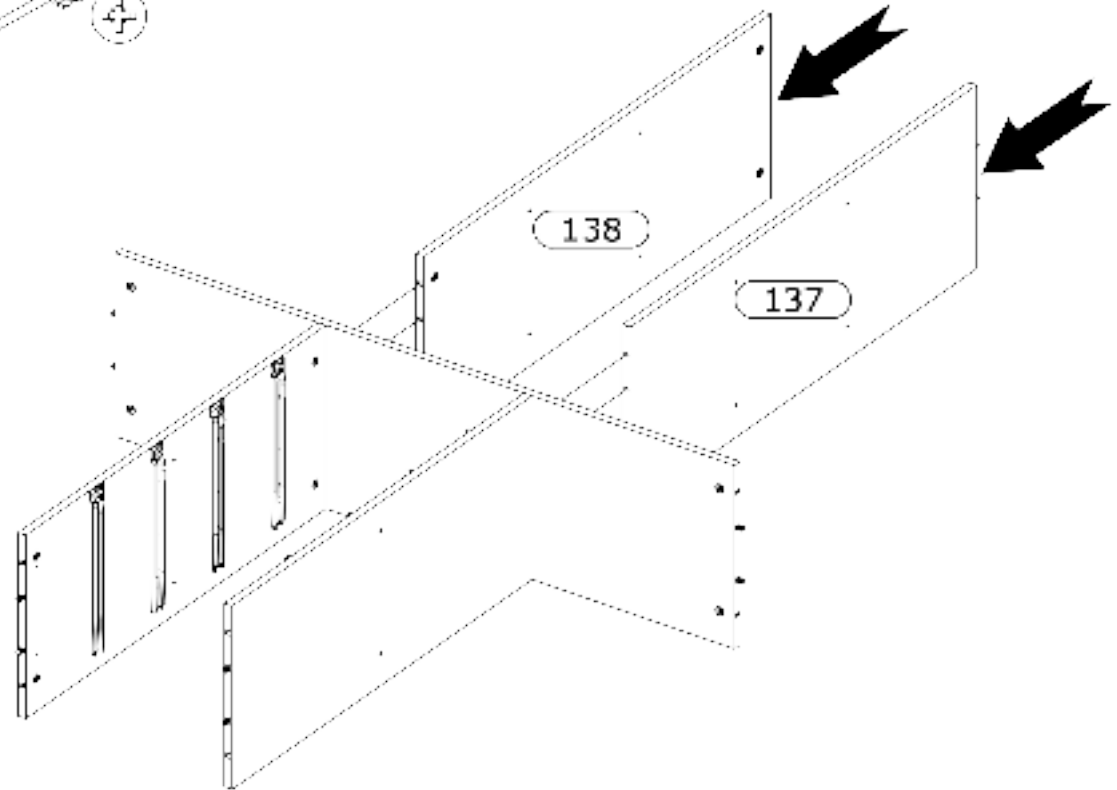
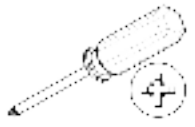


**11**

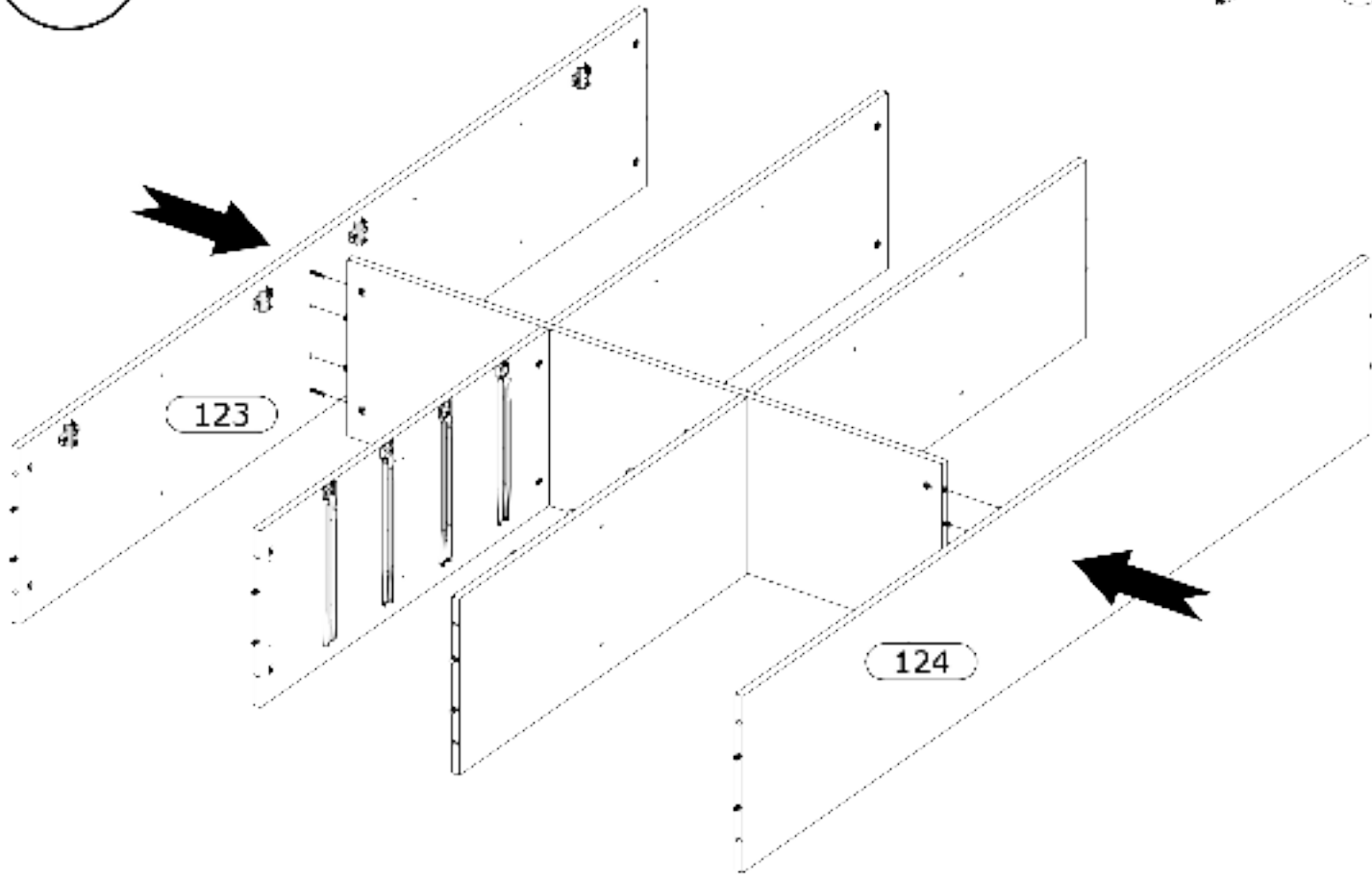
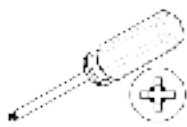
- A2 x 4
- B2 x 4



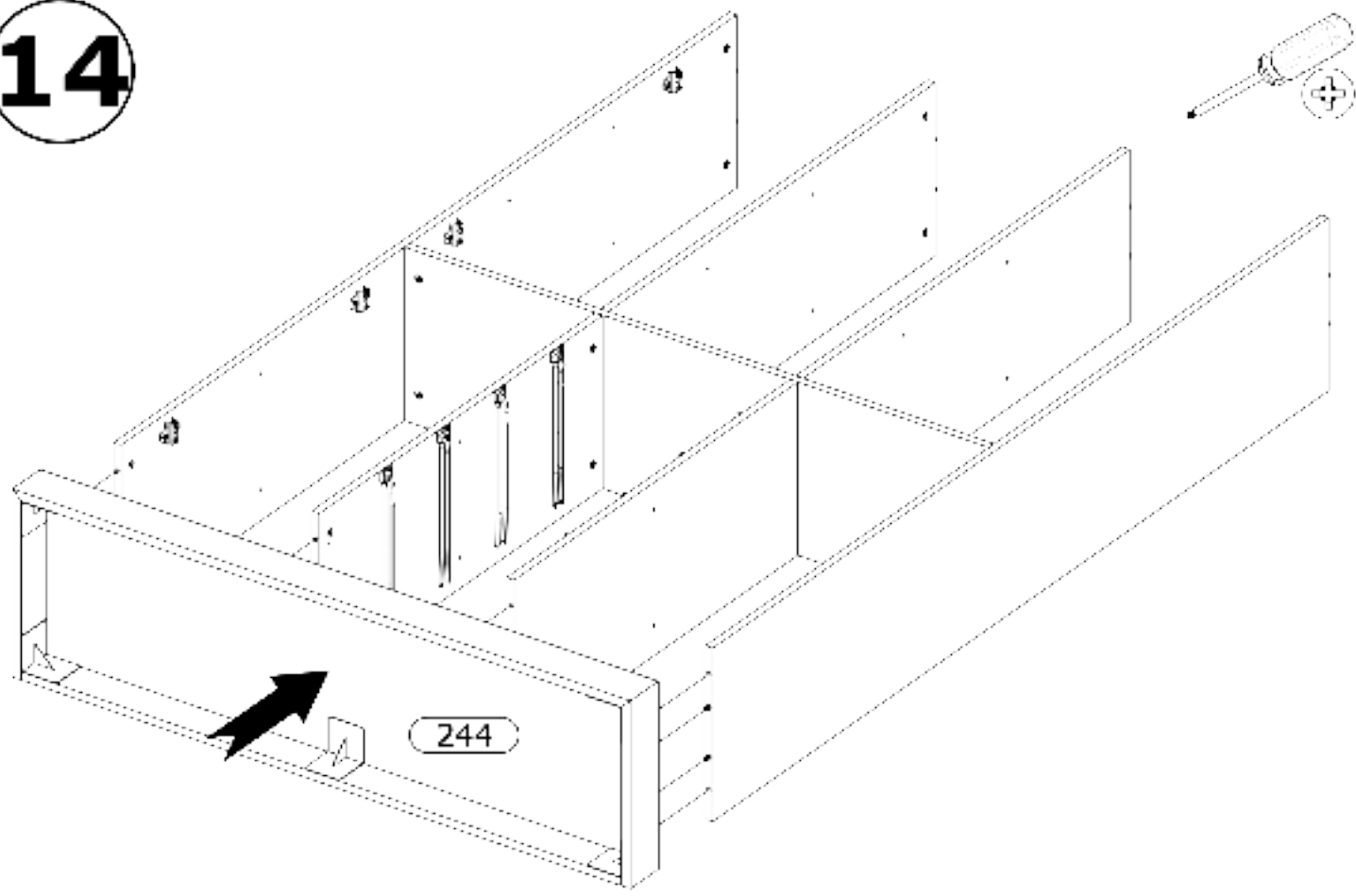
**12**



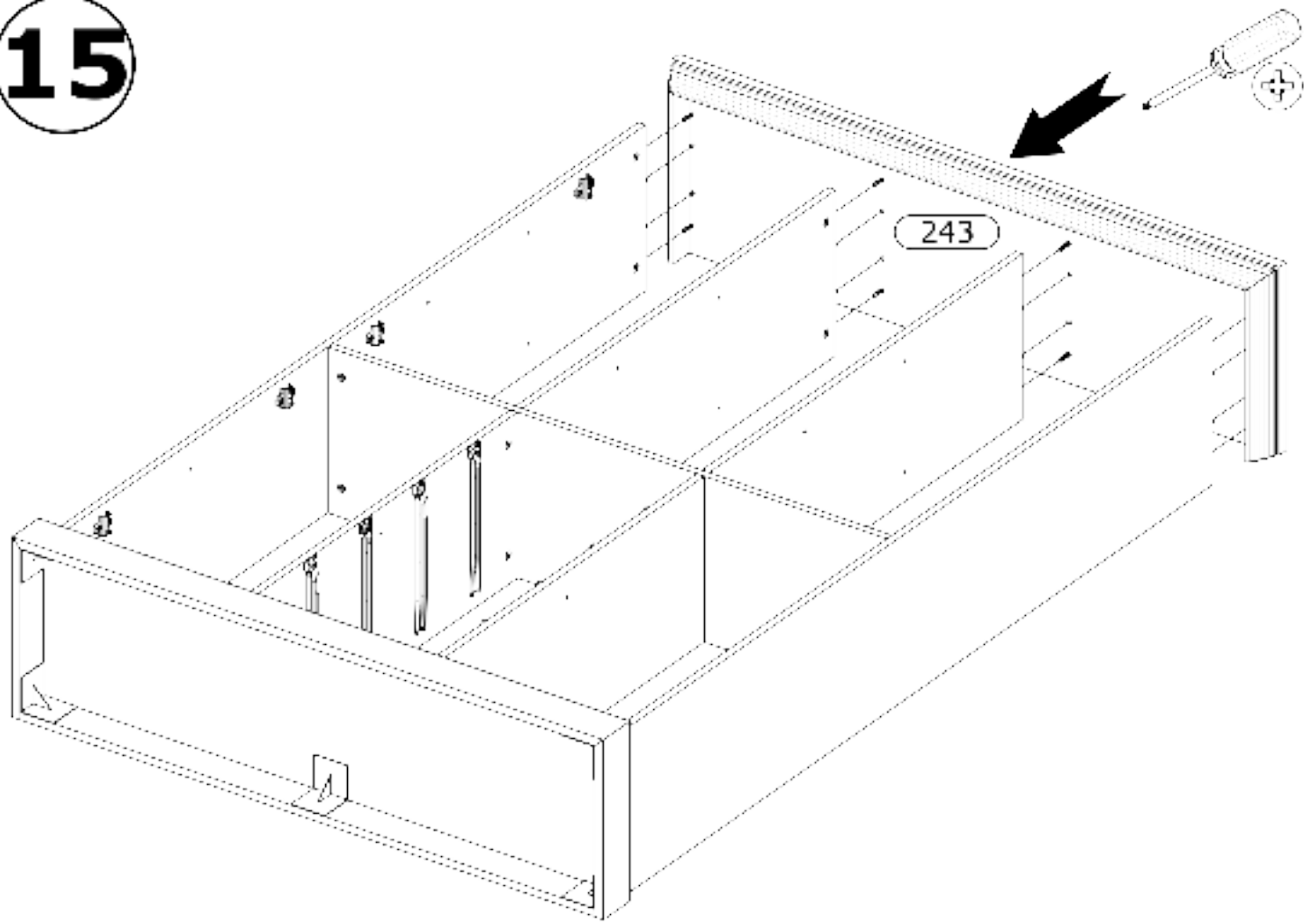
**13**



**14**

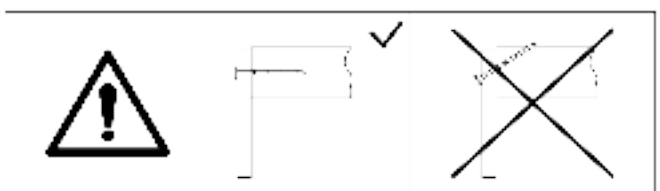
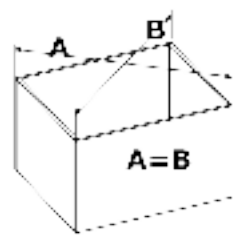
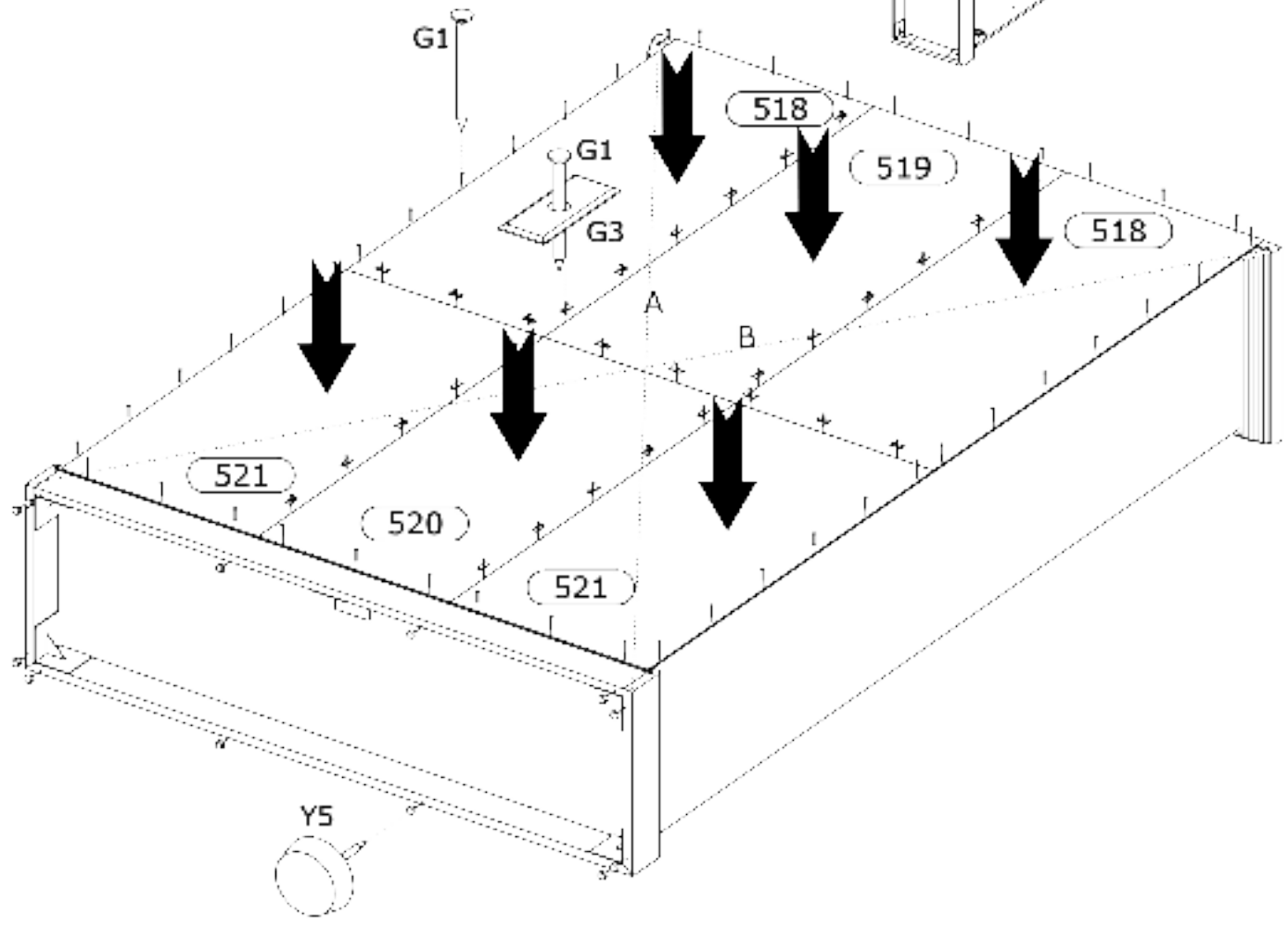
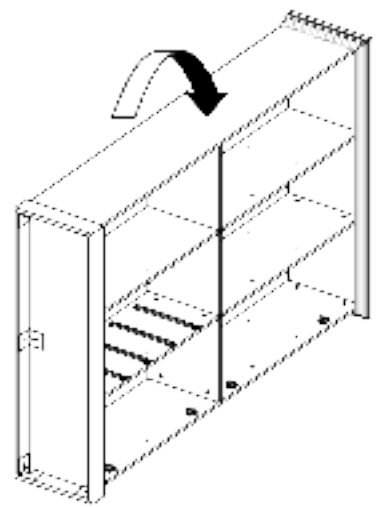
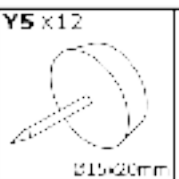
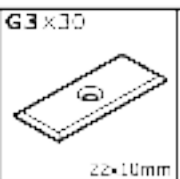
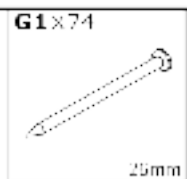


**15**





**16**



**17**

E1 x32

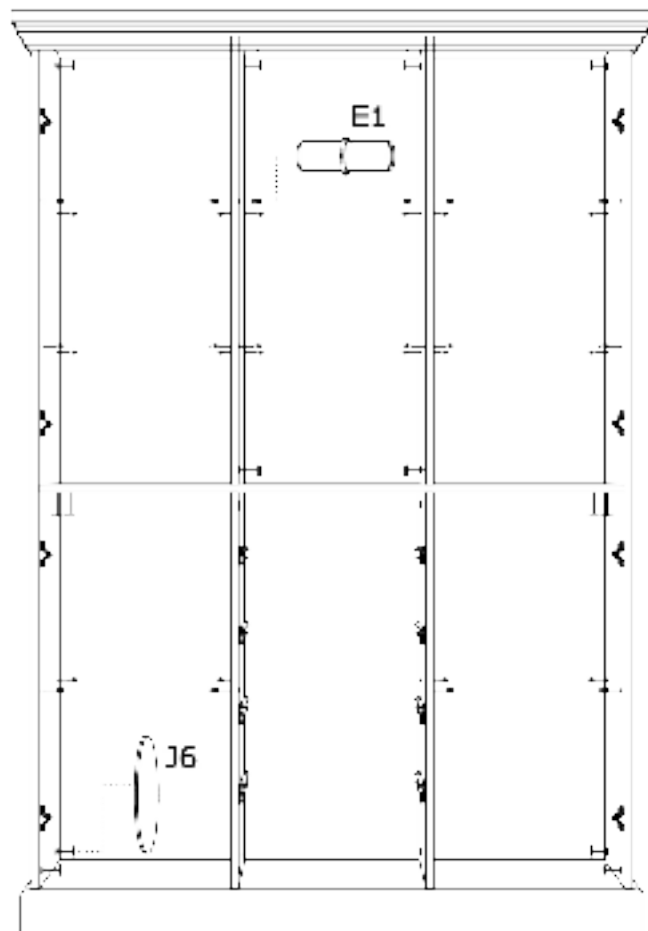


Ø5x16mm

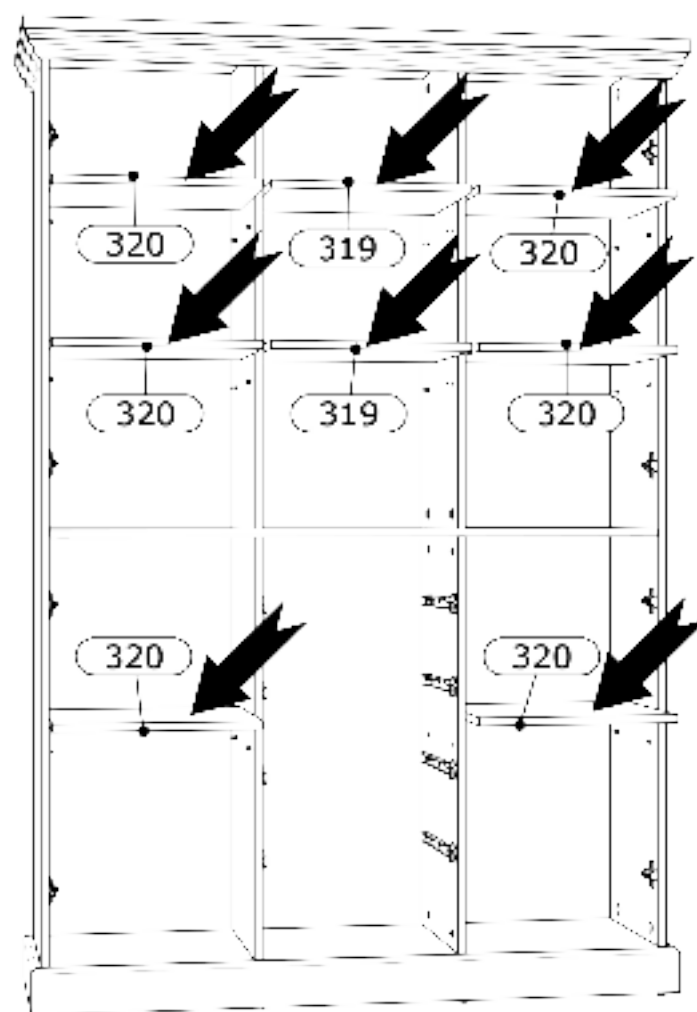
J6 x20



Ø21mm

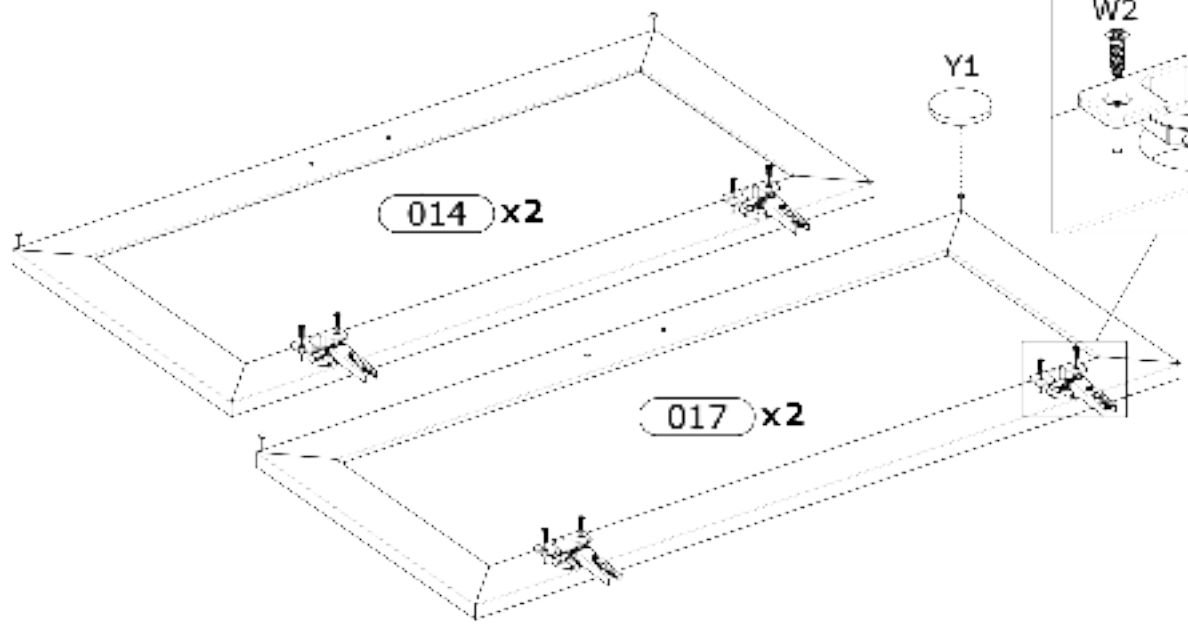
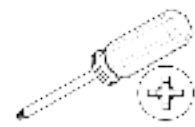


**18**



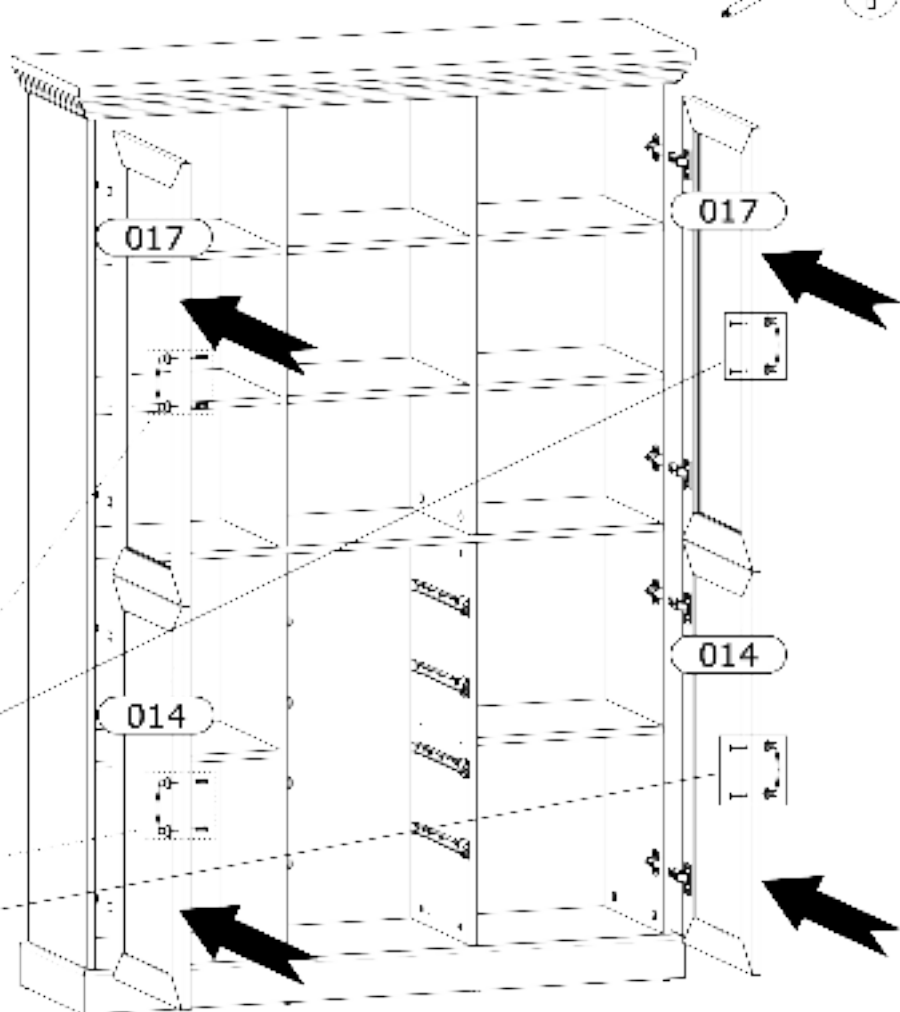
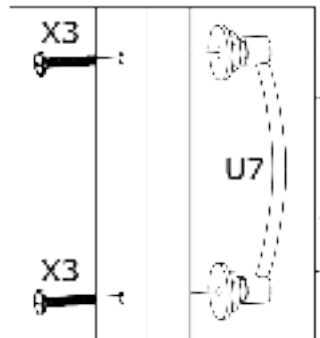
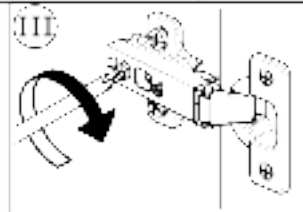
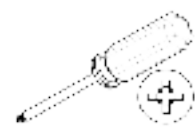
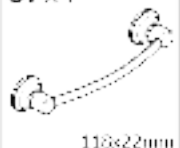
# 19

- W2 x16
- Y1 x8
- Z3 x8



# 20

- U7 x4
- X3 x5



# 21

T4 x2

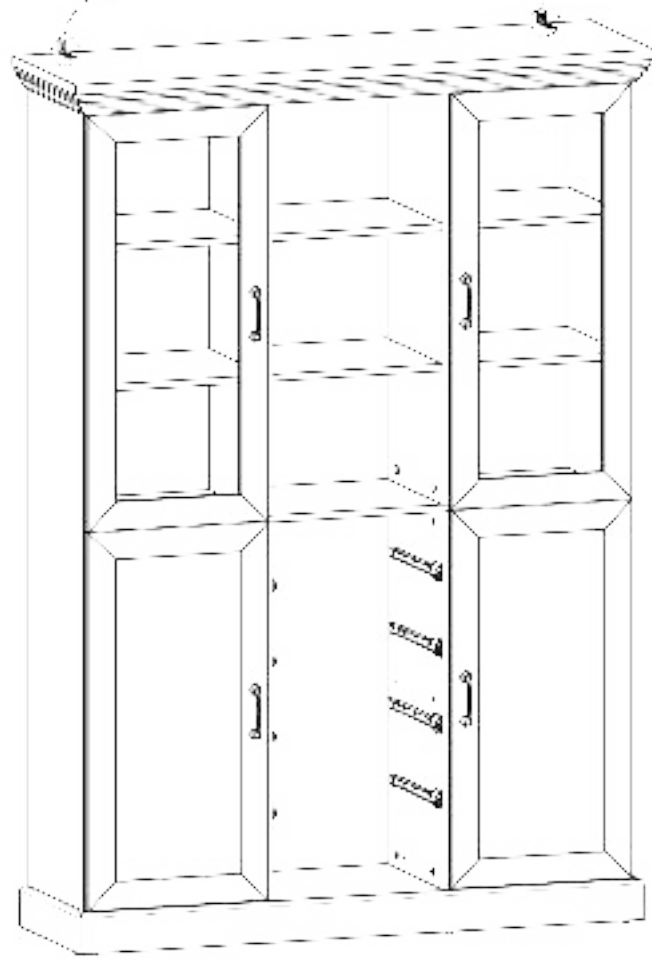
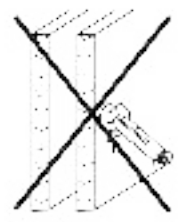
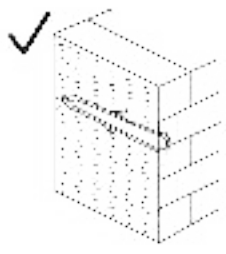
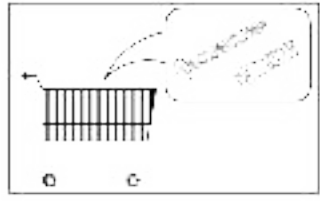
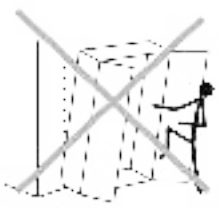
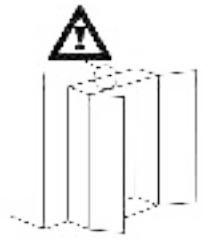
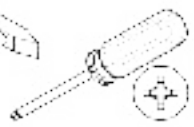
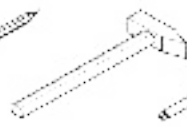


75x20x10 mm

W2 x4



Ø3,5x16mm



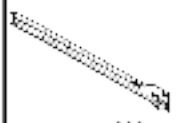
- I
- II
- III
- IV
- V
- VI

# 22

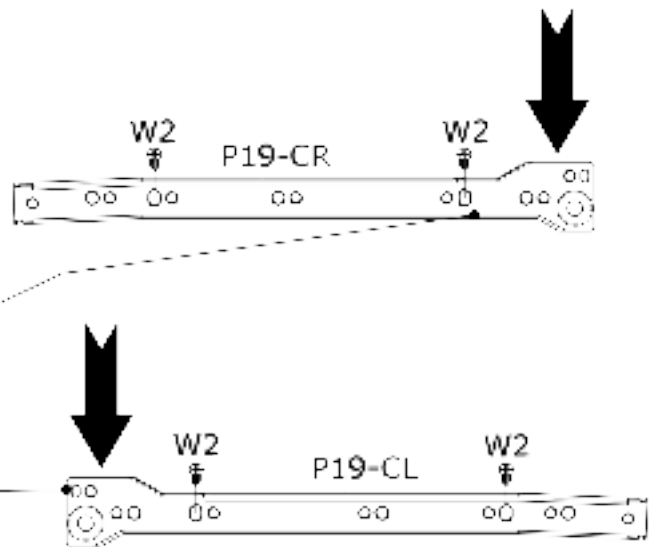
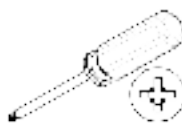
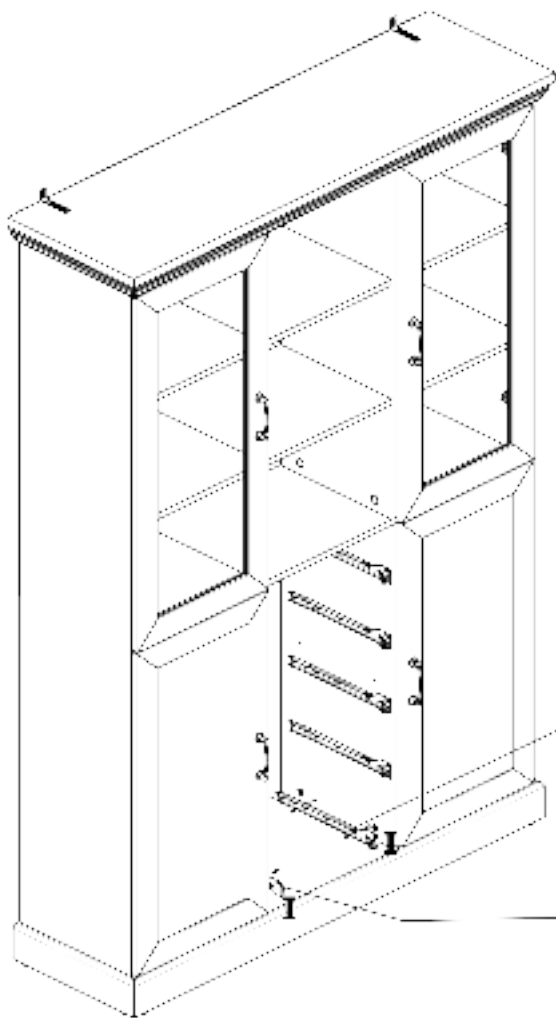
P19-CL x 1



P19-CR x 1



W2 x 4



# 23

